

AMC754 – Intel® Xeon® D-15xx, Processor AMC

PrAMC Xeon D, PCIe Gen 3



KEY FEATURES

- Processor AMC Intel® 5th Generation Xeon D-1520, D-1548 or D-1577 (Broadwell) SoC
- Dual PCIe Gen3 x4 or single PCIe x8 on ports 4-11 (AMC.1)
- GbE to port 0 and 1 (AMC.2) and SATA to ports 2 and 3 (AMC.3)
- 10 GbE 10000BASE-T to the front panel
- Video output via micro HDMI connector
- Single module, mid-size (option for full-size) per AMC.0
- 16 GB of DDR4 memory with ECC
- 32 GB of Flash memory
- TPM (optional)
- IPMI 2.0 compliant

Benefits of Choosing VadaTech

- Efficient SoC design with integrated PCH technology
- Lower power consumption and cost-effective for high performance
- Design utilizes proven VadaTech subcomponents and engineering techniques
- Electrical, mechanical, software, and system-level expertise in house
- AS9100 and ISO9001 certified company

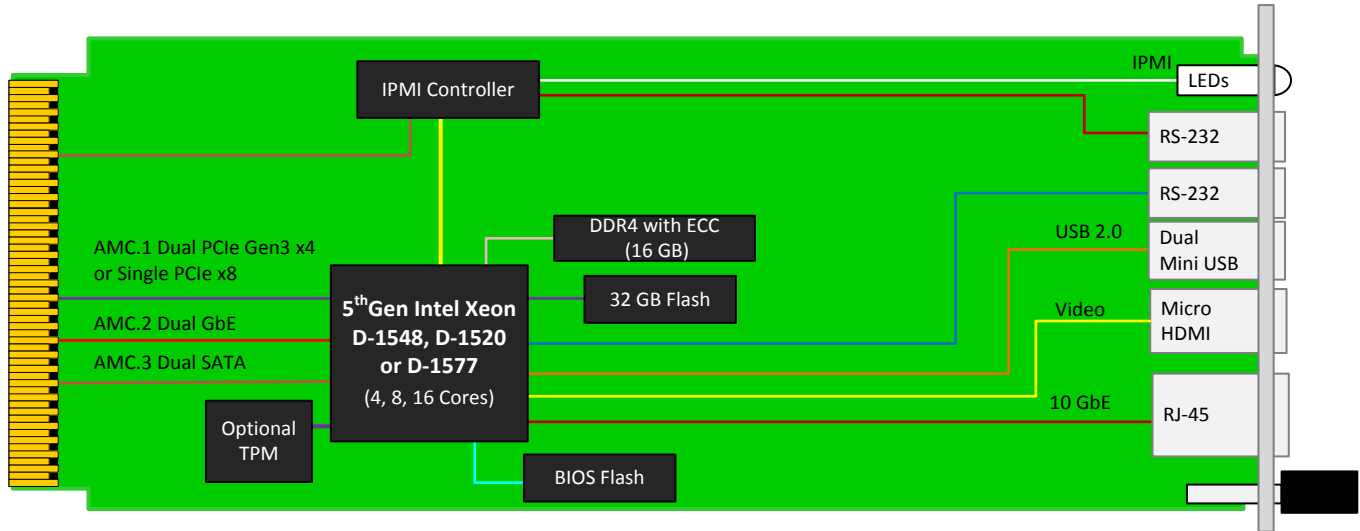
The AMC754 is a Processor AMC in a single module, mid-size based on the Intel® 5th generation Xeon 8-core D-1548, 4-core D-1520 Processor or 16 core D-1577 (Broadwell). The efficient SoC design has low power consumption and integrated PCH technology. The module follows the AMC.1, AMC.2 and the AMC.3 specifications.

The module provides dual PCIe Gen3 x4 or single x8 on ports 4-11 per AMC.1, GbE on ports 0 and 1 per AMC.2, and SATA on ports 2 and 3 per AMC.3. It also provides 100 Mbit / 1 GbE / 10 GbE to the front panel (the module can auto-negotiate down to 100 Mbit Ethernet but not 10 Mbit).

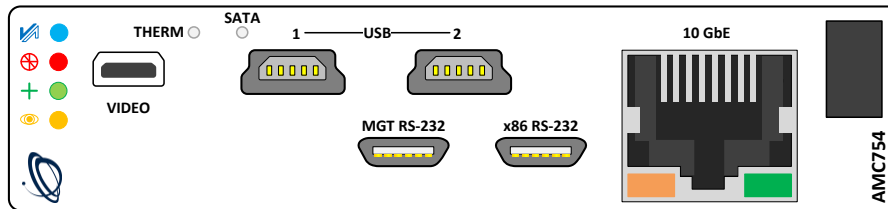
The AMC754 provides 16 GB of DDR4 memory with ECC and 32 GB of Flash for the OS. The BIOS allows booting from on board Flash, off-board SATA, PXE boot and USB. There are dual USB for extended storage or peripherals.

Linux OS is standard on the AMC754, consult VadaTech for other options.

BLOCK DIAGRAM



FRONT PANEL



SPECIFICATIONS

Architecture		
Physical	Dimensions	Single module, Mid-size (Full-size options)
		Width: 2.89 in. (73.5 mm)
		Depth: 7.11 in. (180.6 mm)
Type	AMC Processor	Intel® 5th Generation Xeon D-1548, D-1520 or D-1577
Standards		
AMC	Type	AMC.1, AMC.2 and/or AMC.3
Module Management	IPMI	IPMI Version 2.0
PCIe	Lanes	Dual x4 or single x8 as PCIe Gen3
Configuration		
Power	AMC754	~ 55 Watts
Environmental	Temperature	Operating Temperature: -5°C to 45°C (55°C for limited time, performance restrictions may apply), industrial version also available (See environmental spec sheet)
		Storage Temperature: -40°C to +85°C
	Vibration	Operating 9.8 m/s ² (1 G), 5-500 Hz
	Shock	Operating 325 G / 2 ms, 160 G / 1 ms
	Relative Humidity	5 to 95 percent, non-condensing
Front Panel	LEDs	IPMI Management Control
		Activity and User defined
	I/O	Single 10 GbE via RJ-45
		Dual USB via mini USB
		Graphics output via micro HDMI port
		Dual RS-232 via micro USB
	Mechanical	Hot Swap Ejector Handle
Software Support	Operating Systems	Linux, VxWorks and Windows
Other		
MTBF	Per MIL-217F Handbook > TBD Hrs.	
Certifications	Designed to meet FCC, CE and UL certifications where applicable	
Standards	VadaTech is certified to both the ISO9001:2000 and AS9100B:2004 standards	
Compliance	RoHS and NEBS	
Warranty	Two (2) years	

INTEGRATION SERVICES AND APPLICATION-READY PLATFORMS

VadaTech has a full ecosystem of ATCA and μ TCA products including chassis platforms, shelf managers, AMC modules, Switch and Payload Boards, Rear Transition Modules (RTM), Power Modules, and more. The company also offers integration services as well as pre-configured Application-Ready Platforms. Please contact VadaTech Sales for more information.

Trademarks and Disclaimer

The VadaTech logo is a registered trademark of VadaTech, Inc. Other registered trademarks are the property of their respective owners. AdvancedTCA™ and the AdvancedMC™ logo are trademarks of the PCI Industrial Computers Manufacturers Group. All rights reserved. Specification subject to change without notice.

ORDERING OPTIONS

AMC754 – 00C – DE0 – 00J

C = Front Panel Size

- 1 = Reserved
- 2 = Mid-size
- 3 = Full-size
- 4 = Reserved
- 5 = Mid-size, MTCA.1 (captive screw)
- 6 = Full-size, MTCA.1 (Captive screw)

D = Processor Type

- 0 = 4C, 2.2 GHz, 6 MB LLC, Xeon D-1520
- 1 = 8C, 2.5 GHz, 12 MB LLC, Xeon D-1548
- 2 = 16C, 1.3 GHz, 24 MB LLC, Xeon D-1577

E = TPM

- 0 = None
- 1 = Installed

J = Temperature Range and Coating

- 0 = Commercial, No coating
- 1 = Commercial, Humiseal 1A33 Polyurethane
- 2 = Commercial, Humiseal 1B31 Acrylic
- 3 = Industrial, No coating
- 4 = Industrial, Humiseal 1A33 Polyurethane
- 5 = Industrial, Humiseal 1B31 Acrylic
- 6 = Reserved
- 7 = Reserved

RELATED PRODUCTS



VT853 μ TCA 1U Chassis
with 6 AMC slots



UTC004 MCH for μ TCA
Chassis (3rd generation)



UTC020 Power Module
for μ TCA Chassis

CONTACT US

VadaTech Corporate Office

198 N. Gibson Rd.
Henderson, NV 89014
Email: info@vadatech.com
Telephone: (702) 896-3337
Fax: (702) 896-0332

Asia Pacific Sales Office

7th Floor, No. 2, Wenhua Street, Neihu District, Taipei
City, Taiwan 11445
Email: info@vadatech.com
Telephone: +886-2-2627-7655
Fax: +886-2-2627-7792

Europe: EMCOMO Solutions AG

Industriestr. 10, 89231 Neu-Ulm,
Germany
Email: vadatech@emcomo.de
Telephone: +49 731 880 3510
Fax: +49 731 880 35129
www.emcomo.de