

AMC595 – FPGA Carrier for FMC, Virtex UltraScale™ XCVU440 with P2040

FPGA UltraScale™ with P2040



KEY FEATURES

- Xilinx Ultra Scale XCVU440 w/ QorIQ PPC2040
- 8 GB of DDR-4 (single bank of 64-bits)
- FMC support (with special connector)
- Ideal for ASIC prototyping/emulation and 100G transponder/muxponder
- AMC Ports 4-11 are routed to FPGA per AMC.1, AMC.2 and AMC.4 (protocols such as PCIe, SRIO, 10GbE/40GbE, etc. are FPGA programmable)
- AMC Ports 12-15 and 17-20 are routed to the FPGA
- AMC FCLKA, TCLKA, TCLKB, TCLKC and TCLKD are routed
- Clock jitter cleaner
- Single module, mid-size AMC (full-size optional)

AdvancedMC™

Benefits of Choosing VadaTech

- Xilinx Virtex-7 XCVU440 FPGA in FLGA2892 package
- Single Bank of 64-bit wide DDR4 memory allows larger buffer sizes while processing and queuing data to the host
- Electrical, mechanical, software, and system-level expertise in house
- Full ecosystem of front and rear boards, enclosures, specialty modules, and test/dev products from one source
- AS9100 and ISO9001 certified company

The AMC595 is based on the Virtex UltraScale™ XCVU440 FPGA in FLGA2892 package with an on board Power PC PC2040. The AMC595 is compliant to the AMC.1, AMC.2, AMC.3 and/or AMC.4 specification.

The module allows an FMC module to be mated. However, the FMC module ***must NOT use the standard height connector*** and must have the mated height of 17.5mm (SamTec part number SEAM-40-11.0-L (or S)-10-2-A on the FMC module, the standard FMC connector is SEAM-40-03.5-L (or S)-10-2-A). VadaTech will deliver any of its FMC modules that mate to the AMC595 with the modified connector height. Contact Sales for the ordering option.

The on-board, re-configurable FPGA which interfaces directly to the AMC FCLKA and TCLKA-D via a Cross Bar MLVDS (CBS). The FPGA has interface to one DDR4, 64-bit wide, with 8 GB total memory. This allows for large buffer sizes to be stored during processing as well as for queuing the data to the host.

The on-board quad core P2040 runs at 1.2 GHz with 1 GB of DDR3, 128 MB of Boot Flash, and a 32 GB SD Card. The PPC has x4 PCIe interface to the FPGA in addition to its local bus. The PPC has its dual GbE routed to ports 0 and 1 of the AMC via a mux to allow FPGA routing to the ports as well. Same applies to ports 2-3 (PPC SATA ports or directly to the FPGA via mux selection).

REFERENCE DESIGN

VadaTech provides a reference design implementation for our FPGAs complete with VHDL source code and configuration binaries. The reference design focuses on the I/O ring of the FPGA to demonstrate low-level operation of the interconnections between the FPGA and other circuits on the board and/or backplane. It is geared to prove out the hardware for engineering/factory diagnostics and customer acceptance of the hardware, but it does not strive to implement a particular end application.

BLOCK DIAGRAM

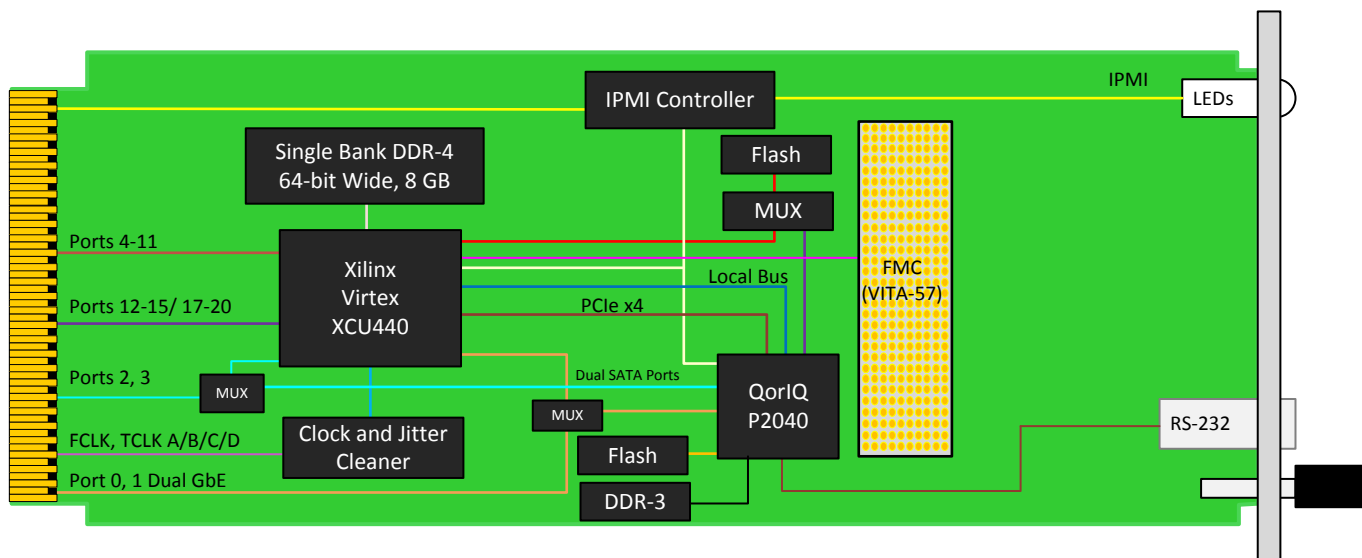
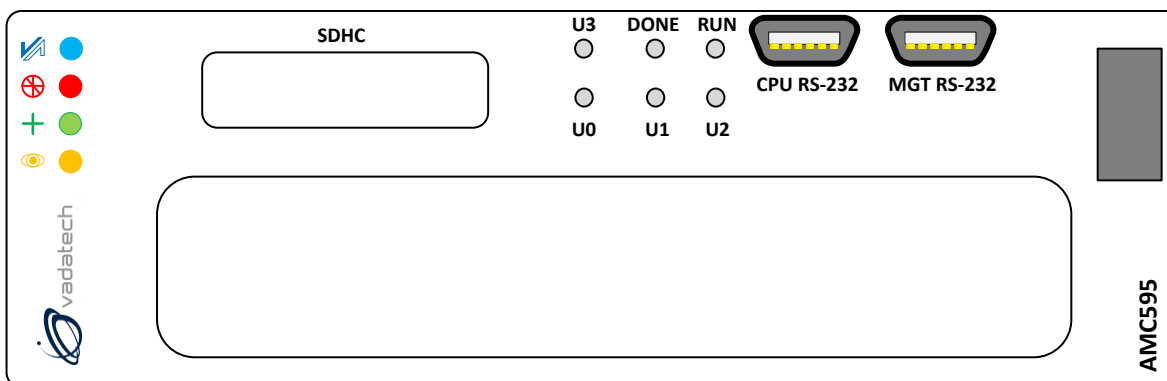


Figure 1: AMC595 Block Diagram

FRONT PANEL



SPECIFICATIONS

Architecture		
Physical	Dimensions	Single module, mid-size (full-size optional)
		Width: 2.89" (73.5 mm) Depth 7.11" (180.6 mm)
Type	AMC FPGA	Xilinx Virtex UltraScale™ XCVU440 FPGA Single bank of DDR4 (64-bit wide)
Standards		
AMC	Type	AMC.1, AMC.2, and AMC.4 (FPGA programmable)
Module Management	IPMI	IPMI version 2.0
PCIe	Lanes	Dual x4 or x8 via FPGA to AMC
SRIO/Aurora	Lanes	Dual x4 via FPGA to AMC
Ethernet	1/10/40GbE	Dual 1/10/40 GbE via FPGA (ports 0-1 and 4-11) and/or Dual 1000-BaseBX from PPC to ports 0-1
Configuration		
Power	AMC595	~65W (application specific)
Environmental	Temperature	Operating Temperature: -5° to 45°C (55°C for limited time, performance restrictions may apply), industrial and military versions also available. (See environmental spec sheet)
		Storage Temperature: -40° to +85°C
	Vibration	Operating 9.8 m/s ² (1.0 G), 5 to 500Hz
	Shock	30Gs on each axis
Front Panel	Relative Humidity	5 to 95 per cent, non-condensing
	Interface Connectors	MGT RS-232 and CPU RS-232
	LEDs	IPMI management control 4 user defined LEDs
	Mechanical	Hot swap ejector handle
Software Support	Operating System	Linux, VxWorks and Windows
Conformal Coating		Humiseal 1A33 Polyurethane (Optional)
		Humiseal 1B31 Acrylic (Optional)
Other		
MTBF		MIL Hand book 217-F @ TBD Hrs
Certifications		Designed to meet FCC, CE and UL certifications where applicable
Standards		VadaTech is certified to both the ISO9001:2000 and AS9100B:2004 standards
Warranty		Two (2) years

INTEGRATION SERVICES AND APPLICATION-READY PLATFORMS

VadaTech has a full ecosystem of ATCA and μ TCA products including chassis platforms, shelf managers, AMC modules, Switch and Payload Boards, Rear Transition Modules (RTM), Power Modules, and more. The company also offers integration services as well as pre-configured Application-Ready Platforms. Please contact VadaTech Sales for more information.

Trademarks and Disclaimer

The VadaTech logo is a registered trademark of VadaTech, Inc. Other registered trademarks are the property of their respective owners. AdvancedTCA™ and the AdvancedMC™ logo are trademarks of the PCI Industrial Computers Manufacturers Group. All rights reserved. Specification subject to change without notice.

ORDERING OPTIONS

AMC595 – A0C – DEF – G0J

A = Ports 12-15

- 0 = Not routed to FPGA
- 1 = LVDS
- 2 = SERDES

C = Front Panel Size*

- 1 = Reserved
- 2 = Mid-size (4HP)
- 3 = Full-size (6HP)
- 4 = Extended-size (8HP)
- 5 = Reserved
- 6 = Mid-size, MTCA.1 (captive screw)
- 7 = Full-size, MTCA.1 (captive screw)
- 8 = Extended-size, MTCA.1 (captive screw)

D = Ports 17-20

- 0 = Not routed to FPGA
- 1 = To FPGA

E = FPGA Speed

- 1 = Low
- 2 = High
- 3 = Highest

F = PCIe Option

- 0 = No PCIe
- 1 = PCIe on ports 4 – 7
- 2 = PCIe on ports 8 – 11
- 3 = PCIe on ports 4 – 11

G = Clock Holdover Stability

- 0 = Standard XO
- 1 = Stratum-3 (TCXO)

J = Temperature Range and Coating

- 0 = Commercial (–5° to +55° C), No coating
- 1 = Commercial (–5° to +55° C), Humiseal 1A33 Polyurethane
- 2 = Commercial (–5° to +55° C), Humiseal 1B31 Acrylic
- 3 = Industrial (–20° to +70° C), No coating
- 4 = Industrial (–20° to +70° C), Humiseal 1A33 Polyurethane
- 5 = Industrial (–20° to +70° C), Humiseal 1B31 Acrylic
- 6 = Military (–40° to +85° C), Humiseal 1A33 Polyurethane**
- 7 = Military (–40° to +85° C), Humiseal 1B31 Acrylic**

*If an FMC module is installed the module must be ordered as Full-size or Extended-size

**Edge of module for conduction-cooled boards

RELATED PRODUCTS



VT899 Cube Chassis



FMC223 High Speed
FMC for DAC



UTC020 1000W
Power Module

CONTACT US

VadaTech Corporate Office

198 N. Gibson Rd.
Henderson, NV 89014
Email: info@vadatech.com
Telephone: +1 702 896-3337
Fax: +1 702 896-0332

Asia Pacific Sales Office

7 Floor, No. 2, Wenhui Street, Neihu District,
Taipei 114, Taiwan
Email: info@vadatech.com
Telephone: +886-2-2627-7655
Fax: +886-2-2627-7792

Europe: EMCOMO Solutions AG

Industriestr. 10, 89231 Neu-Ulm,
Germany
Email: vadatech@emcomo.de
Telephone: +49 731 880 3510
Fax: +49 731 880 35129
www.emcomo.de